

ROAD

MOTOCRANE ULTRA

FLUID HEADS

THE DAMPING ACTION OF ALL AXIS, TILT AND ROLL IS CREATED BY CUSTOM MADE HYDRAULIC DAMPENERS THAT ARE FULLY ADJUSTABLE. THIS ALLOWS FOR AGGRESSIVE MOVEMENT WITHOUT AFFECTING THE HEAD.

LONGEST REMOTE ARM

REACHING 12' IN LENGTH AND ONLY WEIGHING IN AT 190LBS MAKES THIS SYSTEM THE MOST PORTABLE REMOTE ARM ON THE MARKET.

PAYLOAD

THE ULTRA CAN HANDLE PAYLOADS UP TO 55LBS AT ANY VANTAGE POINT AROUND THE VEHICLE.

FULL 360 ROTATION & LIFT AXIS

THE OPERATOR HAS FULL CONTROL OVER SWING AND TILT WITH THE ULTRA'S CUSTOM CONTROLLER.

UNIVERSAL SUCTION MOUNT

PORTABILITY, THE SYSTEM COMES WITH A UNIVERSAL SUCTION MOUNT KIT THAT ALLOWS THE ULTRA TO MOUNTED ON JUST ABOUT

ROAD

BLACK ARM

UNIVERSAL MOUNTING PLATE

UNIVERSAL MOUNTING PLATE
ALLOWS FOR EASY RIGGING WHEN
ACCOMMODATING CAMERA
DEPARTMENT. MOUNT WIRELESS,
VIDEO DOWN LINK, BATTERY PACKS
AND MORE. FITTED WITH 1/4 20 AND
3/8

FLUID DAMPENERS

THE DAMPING ACTION OF ALL AXIS, VERTICAL, TILT
AND ROLL IS CREATED BY CUSTOM MADE HYDRAULIC
DAMPENERS THAT ARE FULLY ADJUSTABLE. THIS
ALLOWS FOR AGGRESSIVE MOVEMENT WITHOUT
AFFECTING THE HEAD.

SPEED RAIL MOUNTING

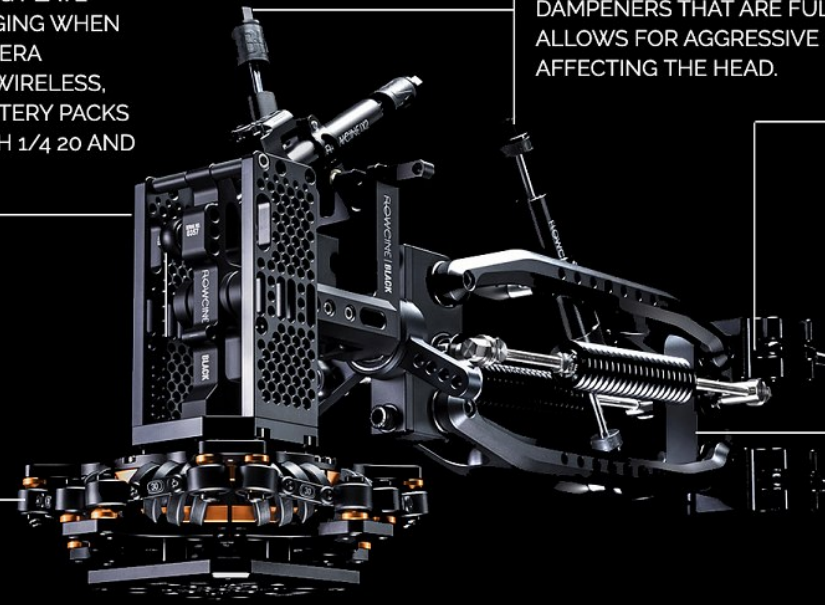
FITS 42-58MM SPEED-RAIL. THIS
ALLOWS FOR FAST RIGGING AND
MOBILITY.

SHOCK ABSORBERS

ABSORBS VERTICAL MOVEMENT
HOLDS WEIGHT FROM 11-70 LBS

TRANQUILIZER

DESIGNED TO REMOVE HIGH
FREQUENCY VIBRATIONS. CAN
HOLD 11-70LBS



BLACK-ARM PAYLOADS



**SHOT
OVER**



11-70 LBS